

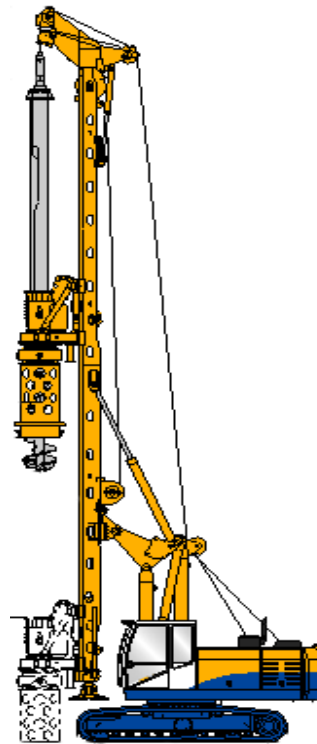
About Soil Solutions, Inc.

Soil Solutions, Inc. has been serving the Metro NY market for over 15 years. We specialize in complex and unique foundation construction, consisting primarily of all types of piles, earth retention and concrete.

Our Company is led by Vincent Dejana, who has over 4 decades of experience, Vincent Dejana Jr. and John Dejana who each have over 15 years of experience.



**Always professional and state of
the art equipment.**



**Call us for:
Drilled Piles
NYC TA Drilling
Drilled Caissons
and
Shoring work**



Soil Solutions, Inc.

Soil Solutions, Inc.
110 Cherry Valley Avenue
West Hempstead, NY 11552

Phone: 516-292-6000
Fax: 516-292-6090
Email: SoilSolutionsInc@aol.com
Web: www.soilsolutionsinc.net

SOIL SOLUTIONS, INC.

- ◆ *Sheeting & Shoring*
- ◆ *Driven & Drilled Piles*
- ◆ *Excavation & Remediation*
- ◆ *Foundations*



*Welcome to
Soil Solutions, Inc.*

516-292-6000

Building a Foundation

The most important part of your building is your foundation. Soil Solutions, Inc. has been leading the industry in foundation construction and development.



**Saw Mill River Bridge, Yonkers, NY
Piles to support new bridge structure.**

Starting with the excavation, we work with state of the art equipment to ensure your digging needs. We secure your foundation with sheeting and shoring and support your foundation loads with piles. We install all types of piles including timber, steel pipe, H-piles, helical piles, mini-piles, micro-piles and drilled piles. We are also experts in concrete and earth retention systems, soil remediation and removal, and UST tank removals.

Pile Driving

Timber Piles. Timber piles can be the most cost effective method to install your foundation for residential and small commercial buildings.

Helical piles. An inexpensive alternate method using drilled piles.

Pile Driving (continued)

Pipe Piles. Pipe piles from 8" to 48" pipe, open and close ended and with or without concrete fill for higher capacities.

Mini-piles. Drilled grout filled pipe piles with hi-strength bars for higher capacities.

H-Piles. Driven generally for H-beams and lagging systems.

Sheeting and Shoring

Sheet piling is classified in two construction applications, permanent and temporary. A permanent application is "stay-in-place" where the sheet pile wall is driven and remains in the ground. A temporary application provides access and safety for construction in a confined area.



**Clara Barton High School
UST Tank Removal using steel sheeting**

Once the work is completed, the sheets are removed. We also can brace the sheets with walers, rakers or tie-back systems. H-pile and timber lagging systems are used for deeper excavations where the shoring is permanent.

Excavation/Soil Remediation

Soil Solutions, Inc. can handle all of your excavation needs, including removal of contaminated and non-contaminated soils.

We specialize removing petroleum contaminated soils from gas stations, schools and factories including removal of UST's.



Expert analysis

Qualifications

We are NYC VENDEX approved and have worked for NYC Department of Sanitation, NYS DEC, NYC SCA, NYC DDC, NYC

TA, NYC HA, NYC MTA, LIRR, etc. as well as many private jobs/ contractors. We also work closely with some of the best Deep Foundation Engineers. We can provide you with references at your request.



**Staten Island Zoo
Drilled Soldier Beams and Lagging
Shoring System**

SOIL SOLUTIONS, INC.

Soil Solutions, Inc.
110 Cherry Valley Avenue
West Hempstead, NY 11552

Phone: 516-292-6000
Fax: 516-292-6090
Email: SoilSolutionsInc@aol.com
Web: www.soilsolutionsinc.net